
Auto-focal Glasses

Eye Movement Tracker With Automatic Accomodative Lens

Young H. Cho

youngc@cs.berkeley.edu

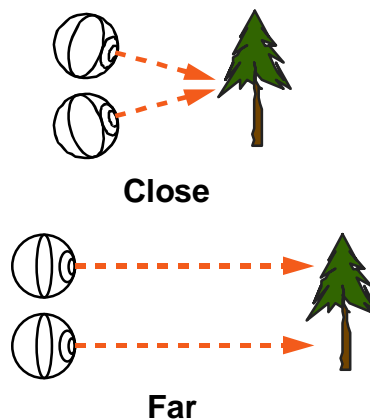
http://http.cs.berkeley.edu/~youngc

E E 192 Class Project - Dr. A. Flynn

December 2, 1995

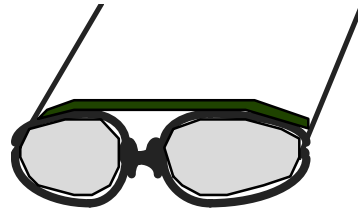
Background

- ↳ **Human Eye**
- ↳ **Vergence**
- ↳ **Accomodation**
- ↳ **Ancient Solutions**
- ↳ **Technology**
- ↳ **Micro-instruments**
- ↳ **Cheaper Parts**
- ↳ **System**
- ↳ **Better Solution**



Idea

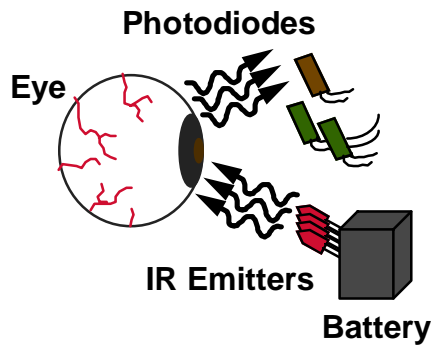
- 👁️ **Sensors**
- 👁️ **Signal Process**
- 👁️ **Microprocessor**
- 👁️ **Mechanism**
- 👁️ **Lens Movement**



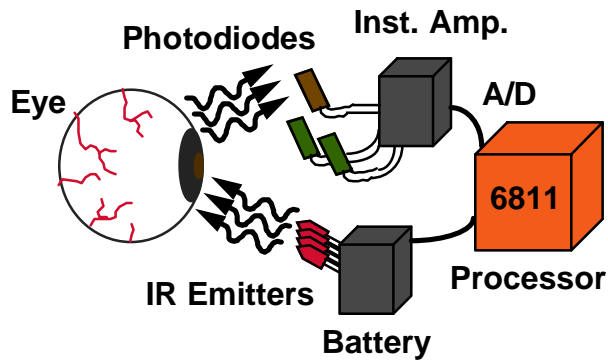
Prototype



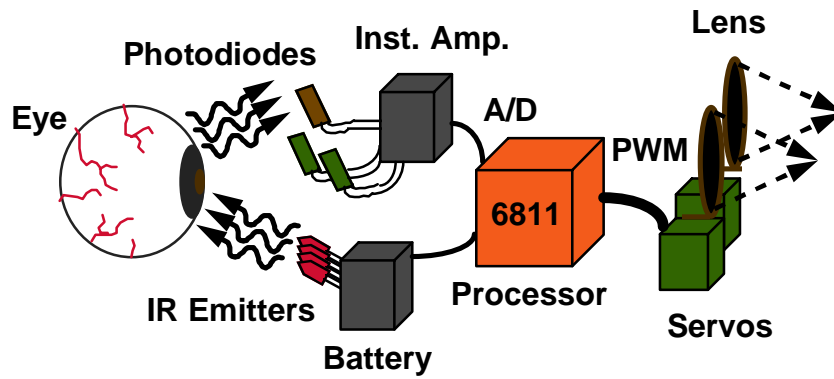
Prototype



Prototype



Prototype



Demonstration

